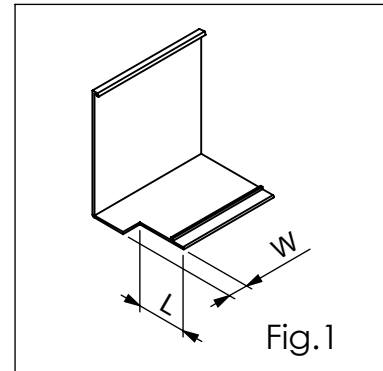


Roller Shade-Fascia Assembly Instruction

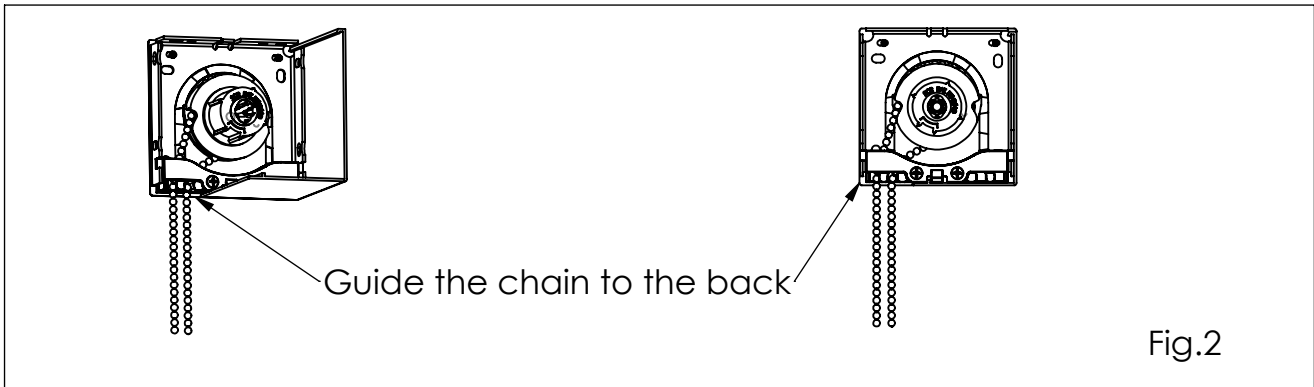
1. If flip the 3" & 4" fascia, don't need to notch the fascia.

2. When use XL, XR clutch for normal fascia, the cutting dimensions for 3" & 4" fascia are:

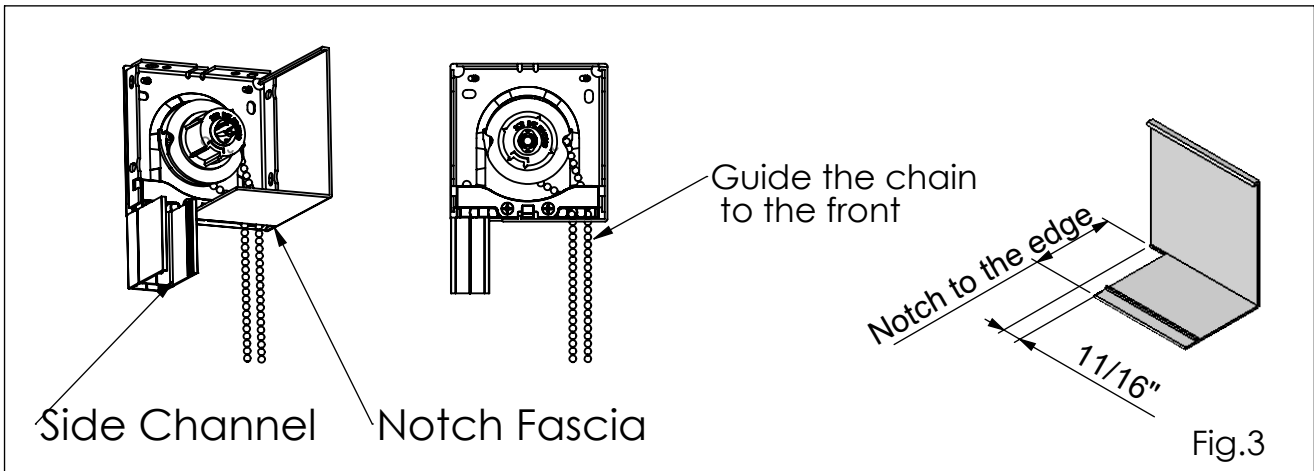
Clutch	XR8,12/XL10,12	XR16/XL20	XR24
W x L	5/8" x 1 1/2"	5/8" x 1 5/8"	11/16" X 2 1/8"



3. When use RS clutch for normal fascia, don't need to notch the fascia.



4. When use RS clutch with side Channel, the cutting dimensions are:



5. Install Fascia to Brackets.
Make sure the lug on the bracket locked with the ridge of the fascia. see the Fig.4

6. Fit end cap to the two ends.

