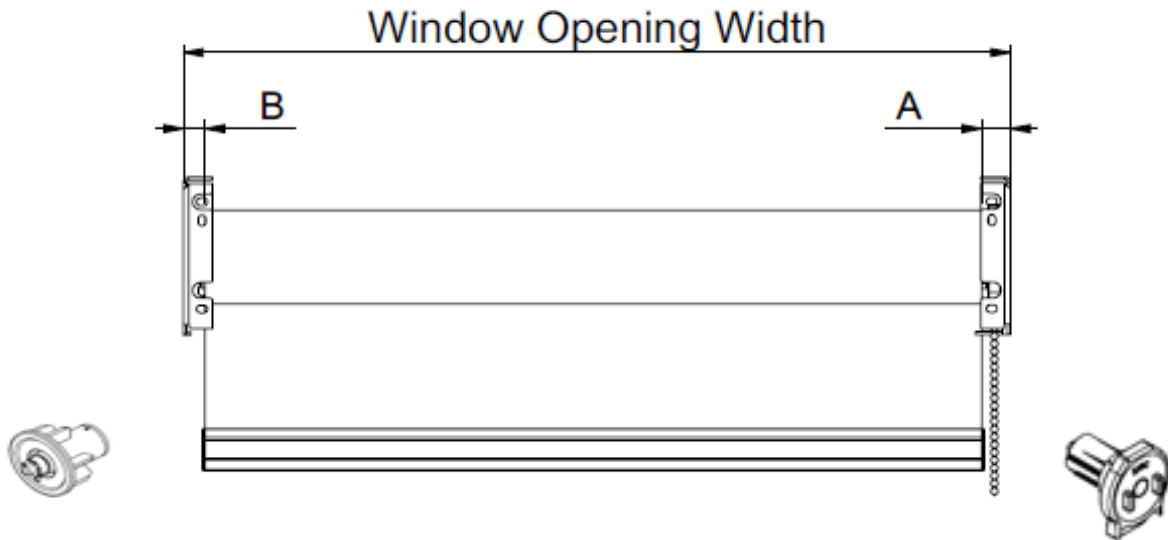


Fabric/Tube Deduction












3"XL Fascia Bracket with XL10 Clutch

Single Band



Note:

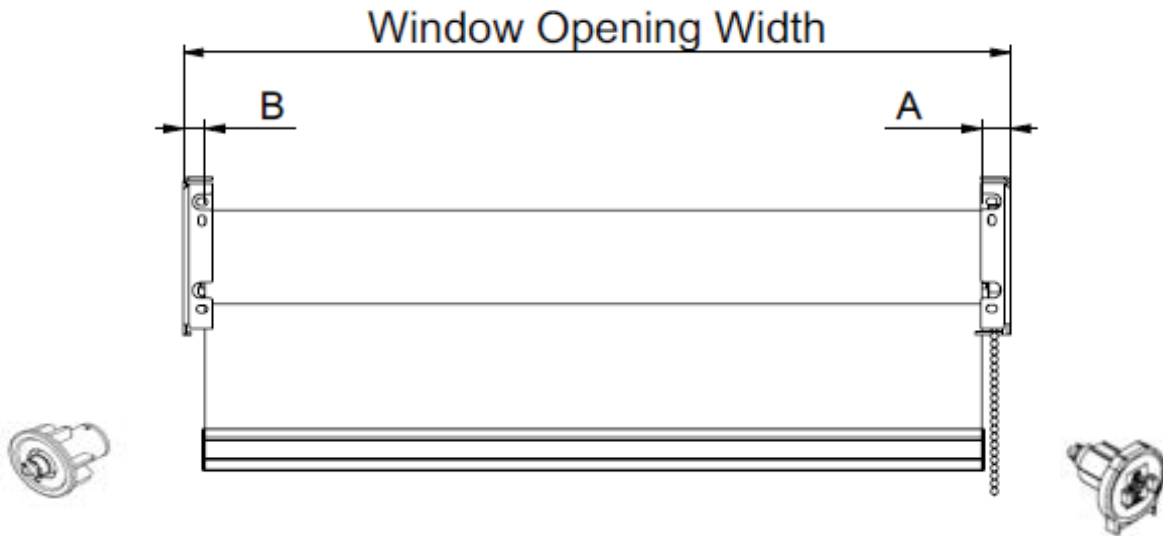
1. Endcaps are not included in this drawing.
2. Endcap thickness is 1/8".

Tube	Clutch	Idler	A	B	Deduction
1 1/8" Tube (RS-T26) 	XL 10 Clutch (XL-1R1/1R5) 	XL Idle End (XL-E01/E05) 	16mm (5/8 ")	14.5mm (9/16 ")	30.5mm (1 3/16 ")
1 1/4" Tube (RS- T36, RS-1TU)  	XL 10 Clutch (XL-1R1/1R5) 	XL Idle End (XL-E11/E15) (XL-E21/E25) (XL-A01/A05) (XL-B01/B05) 	17mm (11/16 ")	14.5mm (9/16 ")	31.5mm (1 1/4 ")
1 1/2" Tube (RS- T46, RS-2TU)  	Adapter (XR-E06/E08 /E07/E09) 		17mm (11/16 ")	14.5mm (9/16 ")	31.5mm (1 1/4 ")

Fabric/Tube Deduction





3"XL Fascia Bracket with XL12 Clutch

Single Band



Note:

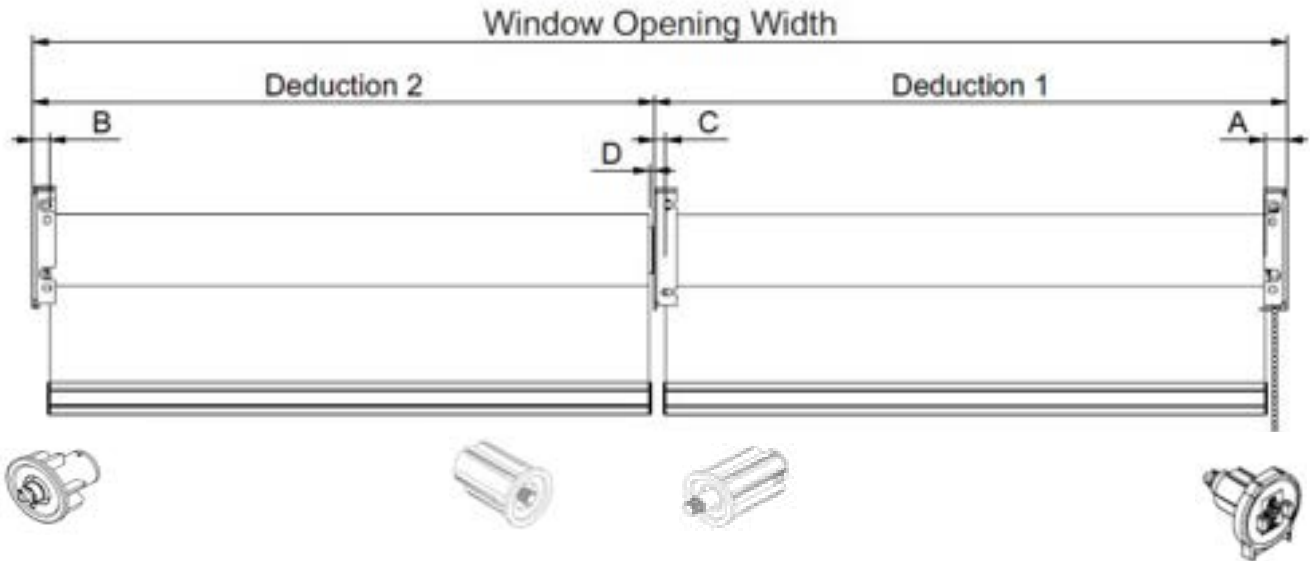
1. Endcaps are not included in this drawing.
2. Endcap thickness is 1/8".

Tube	Clutch	Idler	A	B	Deduction
1 ¼" Tube (RS- T36) 	XL 12 Clutch (XL-4R6/4R0) (XL-5R6/05R/5R1~5)	XL Idle End (XL-E11/E15) (XL-A01/A05)	17mm (11/16 ")	14.5mm (9/16 ")	31.5mm (1 1/4 ")
1 ½" Tube (RS- T46) 					

Fabric/Tube Deduction





3"XL Fascia Bracket with XL12 Clutch

Multi Band-Intermediate



Note:

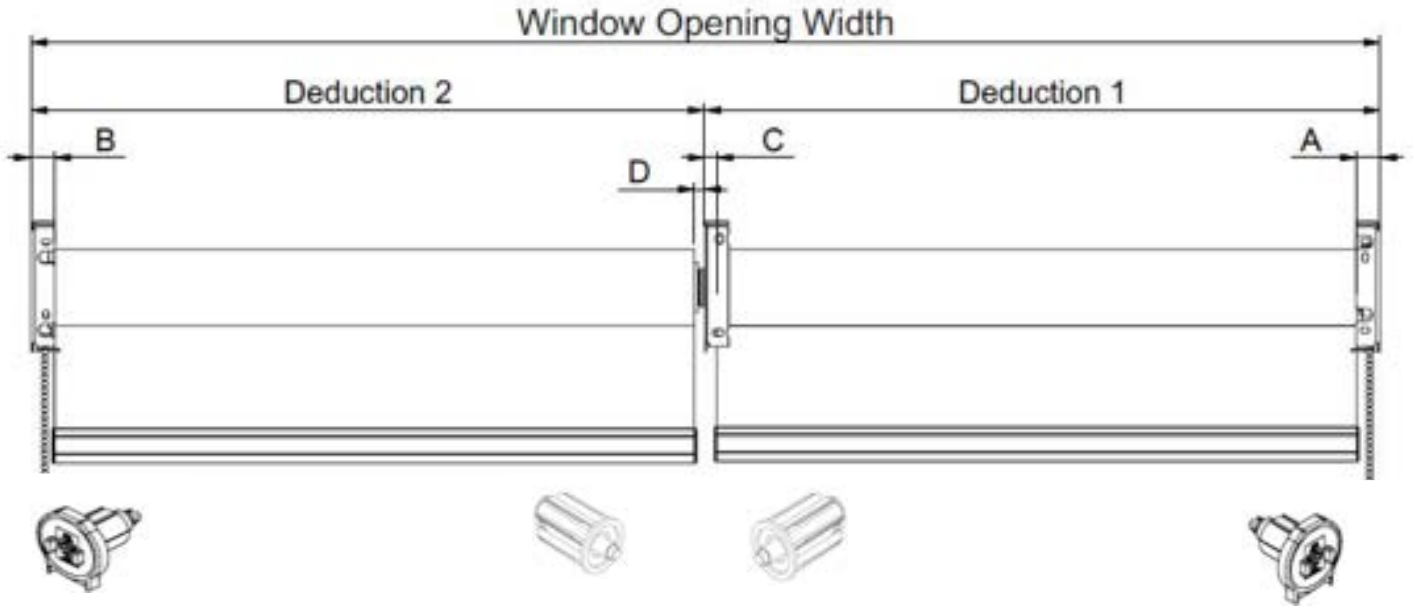
1. Endcaps are not included in this drawing.
2. Endcap thickness is 1/8".

Tube	Clutch	Inter. Idler	Idler	A	B	C	D	D1 (A+C)	D2 (B+D)
1 1/2" Tube (RS- T46) 	XL 12 Clutch (XL- 5R6/5R0/5R1~5) 	Inter.Idler (RS-WQ5, RS-WM2) 	XL Idle End (XL-A01/A05) 	17mm (11/16 ")	14.5mm (9/16 ")	9.5mm (3/8")	4.5mm (3/16 ")	26.5 mm (1 1/16")	19 mm (3/4")

Fabric/Tube Deduction




3"XL Fascia Bracket with XL12 Clutch

Multi Band-Center Support



Note:

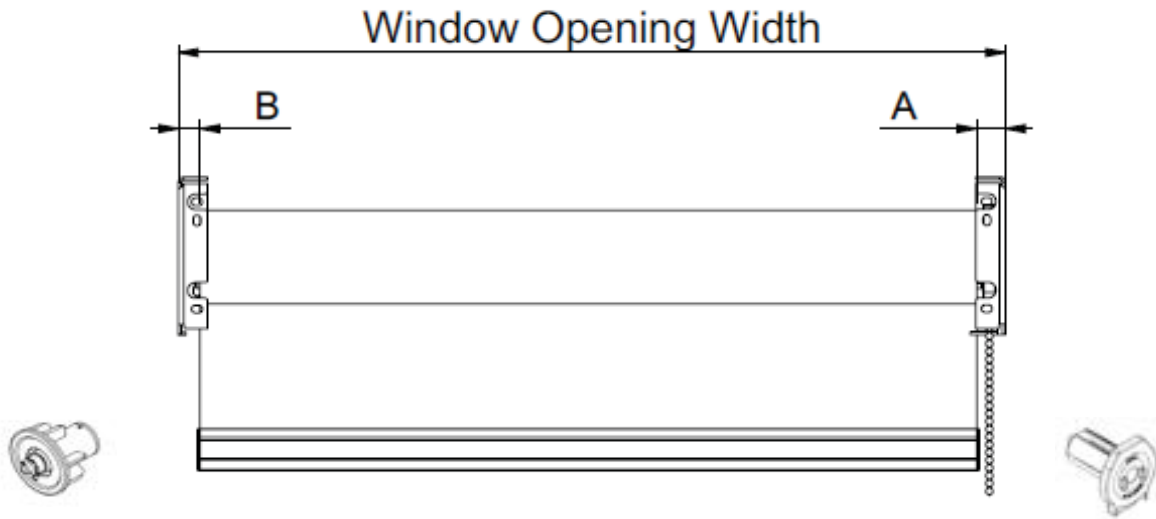
1. Endcaps are not included in this drawing.
2. Endcap thickness is 1/8".

Tube	Clutch	Center Idler	A	B	C	D	D1 (A+C)	D2 (B+D)
1 1/2" Tube (RS- T46) 	XL 12 Clutch (XL-5R6/5R0/5R1~5) 	Center Idler (RS-WQ6) 	17mm (11/16 ")	17mm (11/16 ")	9.5mm (3/8 ")	8mm (5/16 ")	26.5 mm (1 1/16 ")	25 mm (1")

Fabric/Tube Deduction

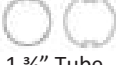







4"XL Fascia Bracket with XL20 Clutch

Single Band



Note:

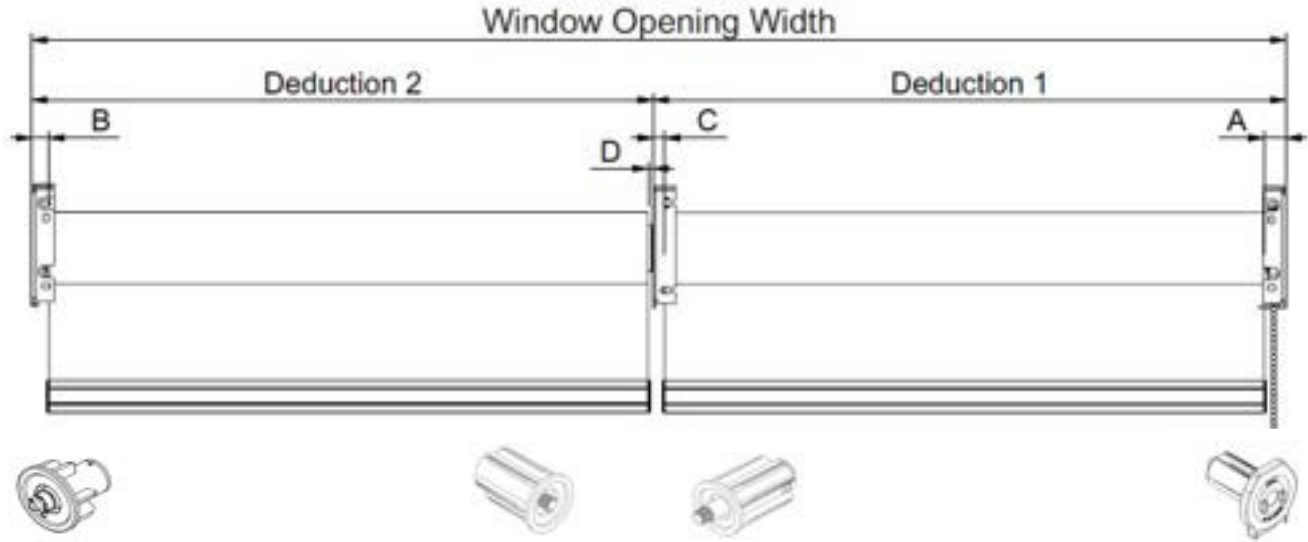
1. Endcaps are not included in this drawing.
2. Endcap thickness is 1/8".

Tube	Clutch	Idler	A	B	Deduction (A+B)
1 1/2" Tube (RS- T46, RS- 2TU)  1 3/4" Tube (RS-3TU) 	XL 20 Clutch (XL-2R1/2X1/3X1) 	XL Idle End (XL-A01/B01/C01) 	19mm (3/4 ")	14.5mm (9/16 ")	33.5mm (1 5/16 ")
2" Tube (RS-T56) 	XL 20 Clutch for T46 (XL-2R1)  2" Adaptor (Z-10G/H) 	XL Idle End for T56 (XL-011) 	19mm (3/4 ")	13mm (1/2 ")	32mm (1 1/4 ")

Fabric/Tube Deduction

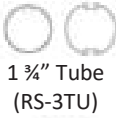









4"XL Fascia Bracket with XL20 Clutch

Multi Band-Intermediate



Note:

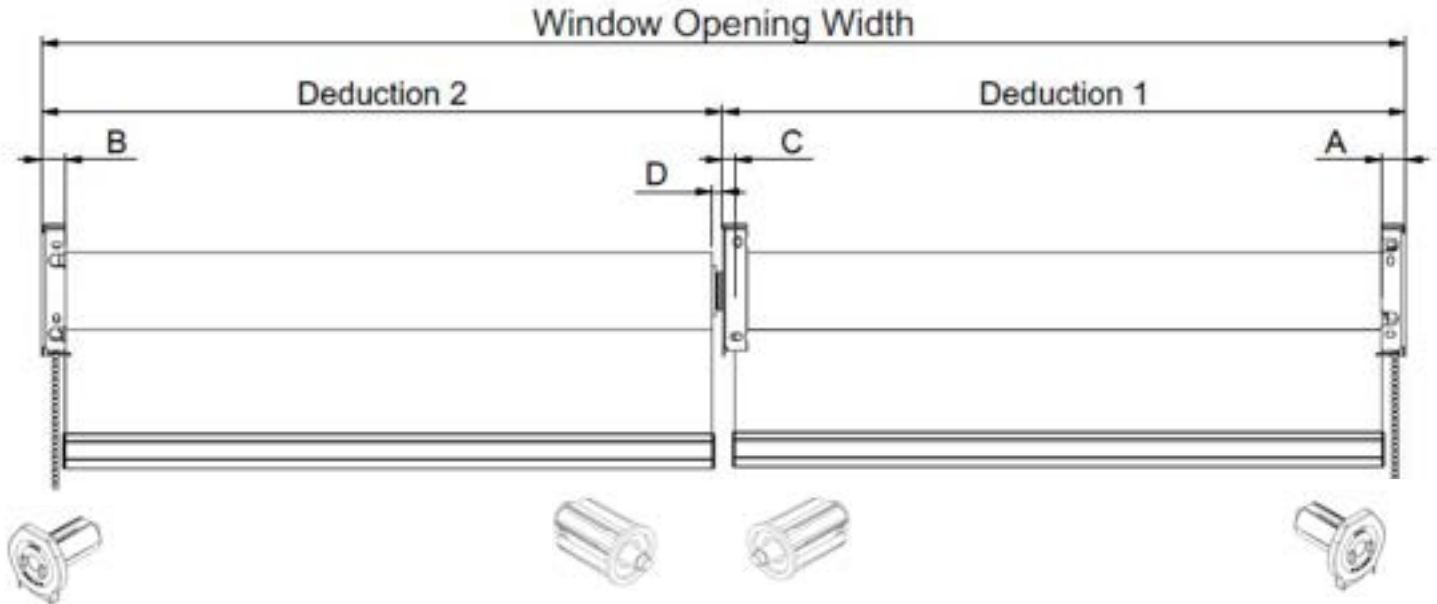
1. Endcaps are not included in this drawing.
2. Endcap thickness is 1/8".

Tube	Clutch	Inter. Idler	Idler	A	B	C	D	D1 (A+C)	D2 (B+D)
1 1/2" Tube (RS- T46, RS- 2TU)  1 3/4" Tube (RS-3TU) 	XL 20 Clutch (XL-2R1/2X1/3X1) 	Inter.Idler (RS-WQ5/1/2, RS-WM2/1/3) 	XL Idle End (XL-A01/B01/C01) 	19mm (3/4")	14.5mm (9/16")	9.5mm (3/8")	4.5mm (3/16")	28.5mm (1 1/8")	19mm (3/4")
2" Tube (RS-T56) 	XL 20 Clutch for T46 (XL-2R1)  2" Adaptor (Z-10G/H) 	Inter.Idler (RS-WM4) 	XL Idle End for T56 (XL-011) 	19mm (3/4")	13 mm (1/2 ")	9.5 mm (3/8")	4.5 mm (3/16 ")	28.5mm (1 1/8")	17.5mm (11/16")

Fabric/Tube Deduction










4"XL Fascia Bracket with XL20 Clutch

Multi Band-Center Support

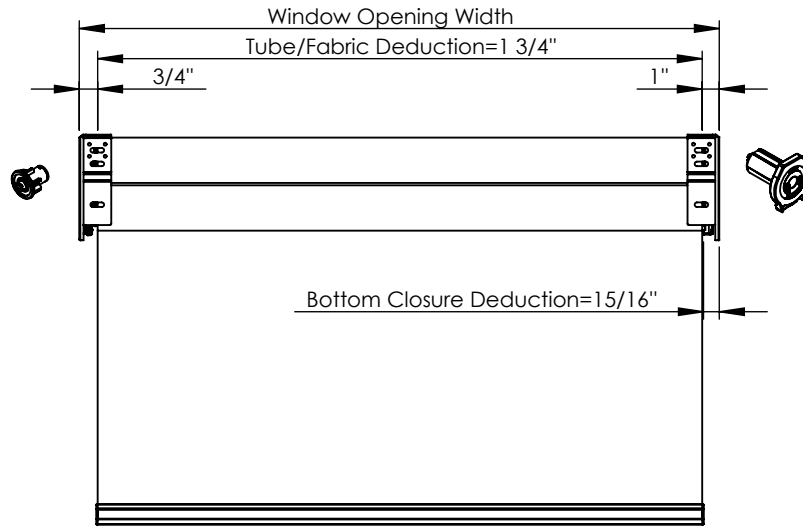


Note:

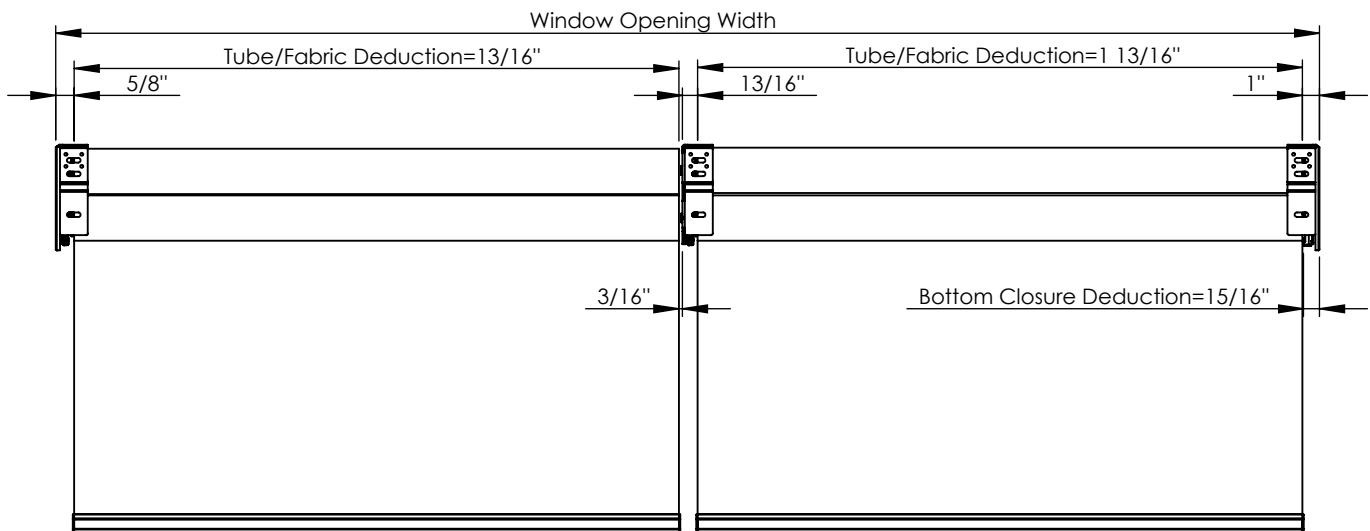
1. Endcaps are not included in this drawing.
2. Endcap thickness is 1/8".

Tube	Clutch	Center Idler	A	B	C	D	D1 (A+C)	D2 (B+D)
1 1/2" Tube (RS- T46, RS- 2TU)  1 3/4" Tube (RS-3TU) 	XL 20 Clutch (XL-2R1/2X1/3X1) 	Center Idler (RS-WQ6/3/4) 	19mm (3/4")	19mm (3/4")	9.5mm (3/8")	8mm (5/16")	28.5 mm (1 1/8")	27 mm (1 1/16")
2" Tube (RS-T56) 	XL 20 Clutch for T46 (XL-2R1)  2" Adaptor (Z-10G/H) 	Center Idler for T46 (RS-WQ6)  2" Adaptor (Z-10G/H) 	19mm (3/4")	19mm (3/4")	9.5mm (3/8")	8mm (5/16")	28.5 mm (1 1/8")	27 mm (1 1/16")

Tube and Fabric Deduction-Single Band 5.5" Duo Shade Use XL16 Clutch/Spring Loaded Idler (with End Caps)



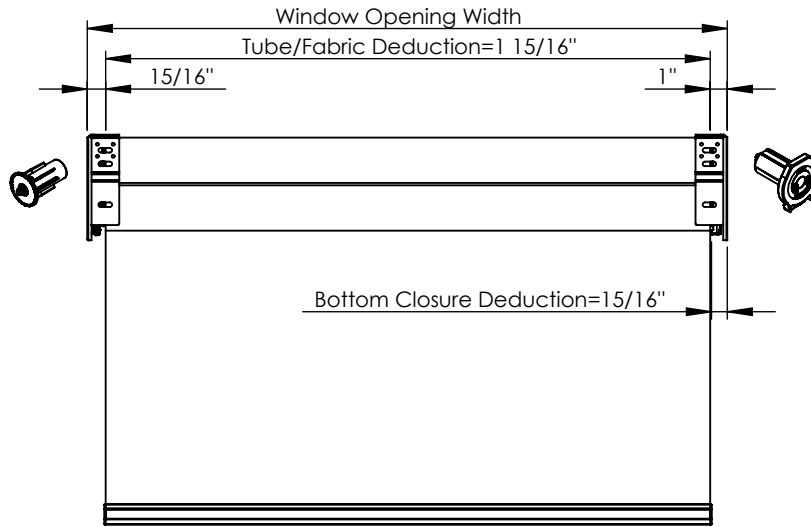
Tube and Fabric Deduction-Multi Band 5.5" Duo Shade Use XL16 Clutch/Spring Loaded Idler (with End Caps)



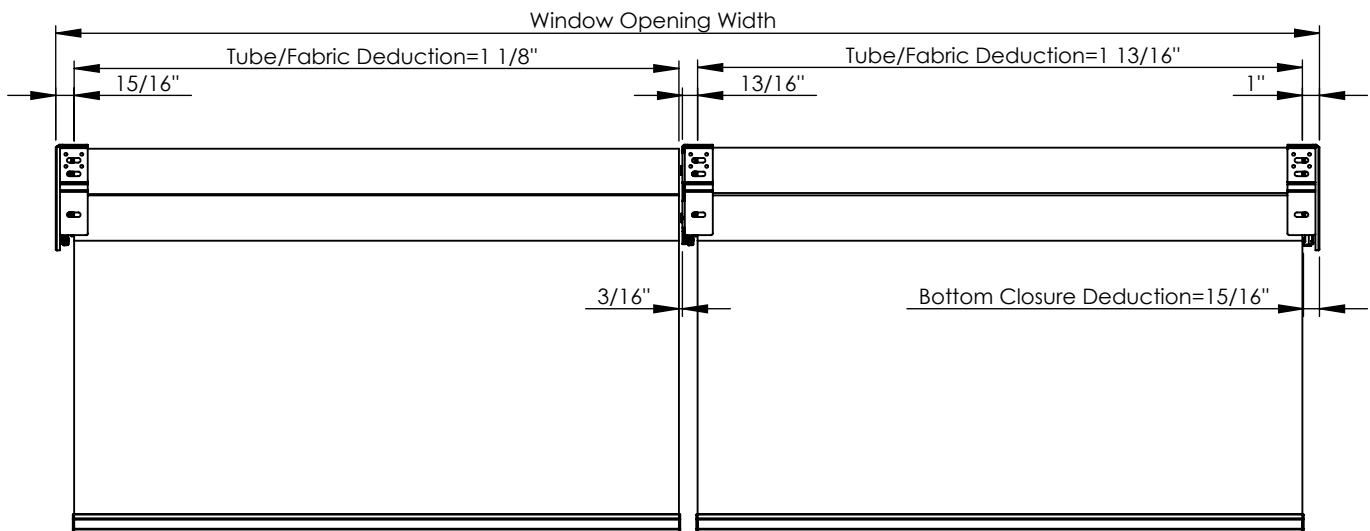
Note: 1) End Cap Thickness is $\frac{1}{8}$ ".
2) Head Box System is without End Caps.

Tube	Max. Drop (Z-Screen/4000)
1.5"	3.6m/12ft
1.75"	3.3m/11ft
2"	3m/10ft
Max. Fabric Roll Dia. = 75mm/2.95"	

Tube and Fabric Deduction-Single Band 5.5" Duo Shade Use XL16 Clutch/Retractable Idler (with End Caps)



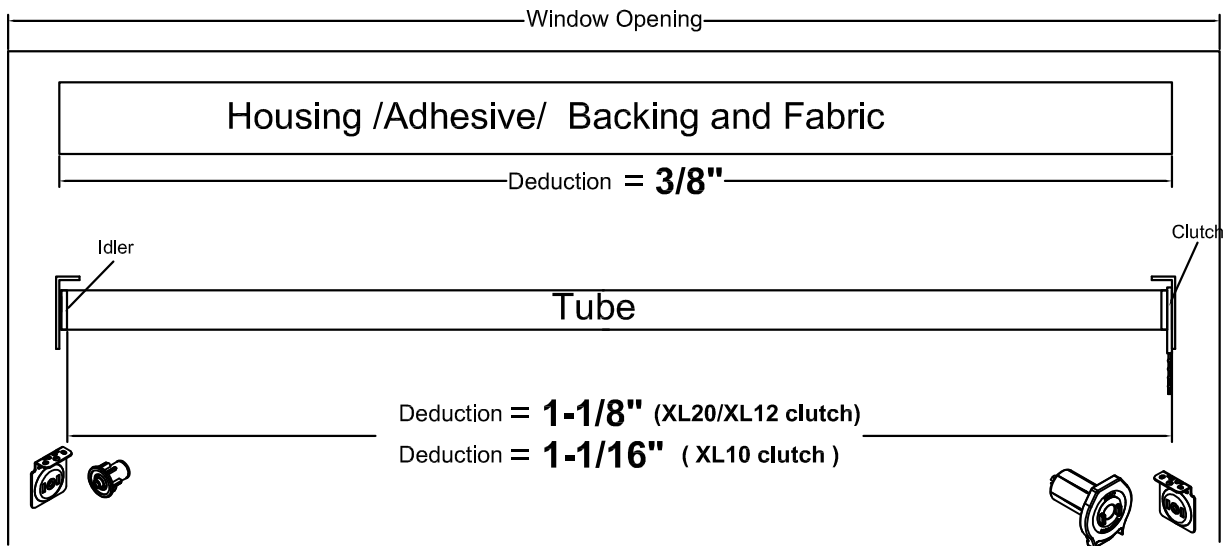
Tube and Fabric Deduction-Multi Band 5.5" Duo Shade Use XL16 Clutch/Retractable Idler (with End Caps)



Note: 1) End Cap Thickness is $\frac{1}{8}$ ".
2) Head Box System is without End Caps.

Tube	Max. Drop (Z-Screen/4000)
1.5"	3.6m/12ft
1.75"	3.3m/11ft
2"	3m/10ft
Max. Fabric Roll Dia. = 75mm/2.95"	

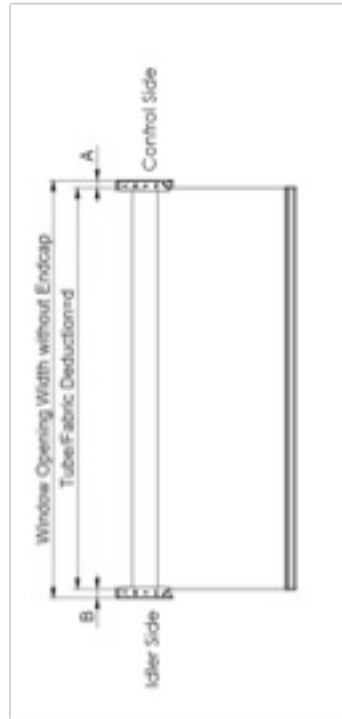
Smart Cassette TUBE DEDUCTION
XL20/XL12/XL10 Clutches & Spring Loaded Idler with ST-E21 Bracket



TUBE AND FABRIC DEDUCTIONS

Tube and Fabric Deductions

5.5" L Fascia with XL Clutch Single Shade



5.5" L Fascia with XL Clutch Duo Shade



Control Side	Idle Side	Tube	A	B	d
XL 20 Clutch for T46 (XL-2R*)	XL Idle End for T56 (XL-011)	2" Tube (RS- T56)	19mm (¾")	13mm (½")	32mm (1 ¼")
XL 20 Clutch for 3TU (XL-3X*) +Spring assistant	XL Idle End for 3TU (XL-CD1)	2 3/8" Tube (RS-033)	20.5mm (13/16")	16mm (5/8")	36.5mm (1 7/16")
XL 20 Clutch for T46 (XL-2R*) +Spring assistant	XL Idle End for T46 (XL-A03)	2 1/2" Tube (RS-T66)	19 mm (¾")	17.5mm (11/16")	36.5mm (1 7/16")

Control Side	Idle Side	Tube	A	B	d
XL 20 Clutch (XL-2R1, XL-2X1, XL-3X1)	XL Idle End (XL-A01, XL-801, XL-C01)	1.5" Tube (RS- T46, RS- 2TU) 1 3/4" Tube (RS- 3TU)	19mm (¾")	14.5mm (9/16")	33.5mm (1 5/16")
XL 20 Clutch for T46 (XL-2R*)	XL Idle End for T56 (XL-011)	2" Tube (RS- T56)	19mm (¾")	13mm (½")	32mm (1 ¼")

1. Use this table as a guideline only
2. Deduction with 1.2mm tolerance
3. End cap thickness is 1/8"

Fabric/Tube Deduction for XL Clutch/EZ Glide with Open Roll Bracket

