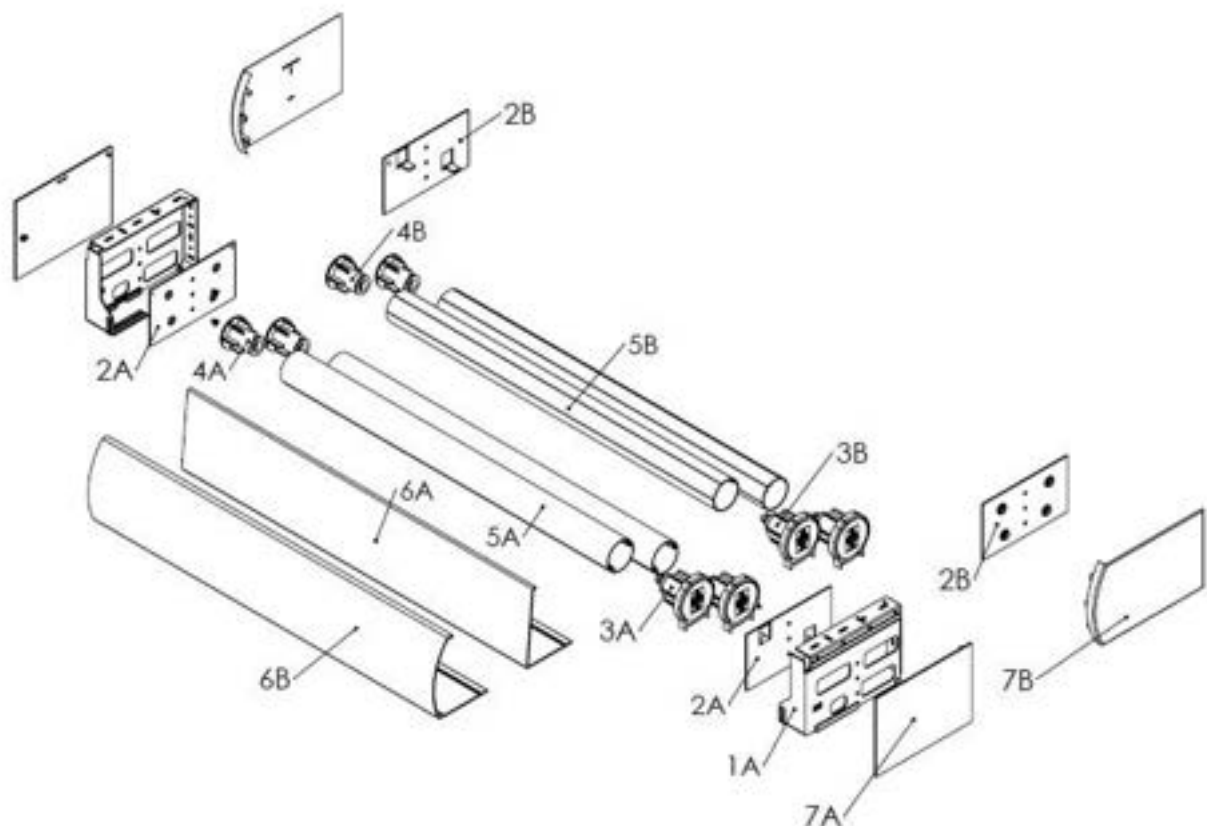
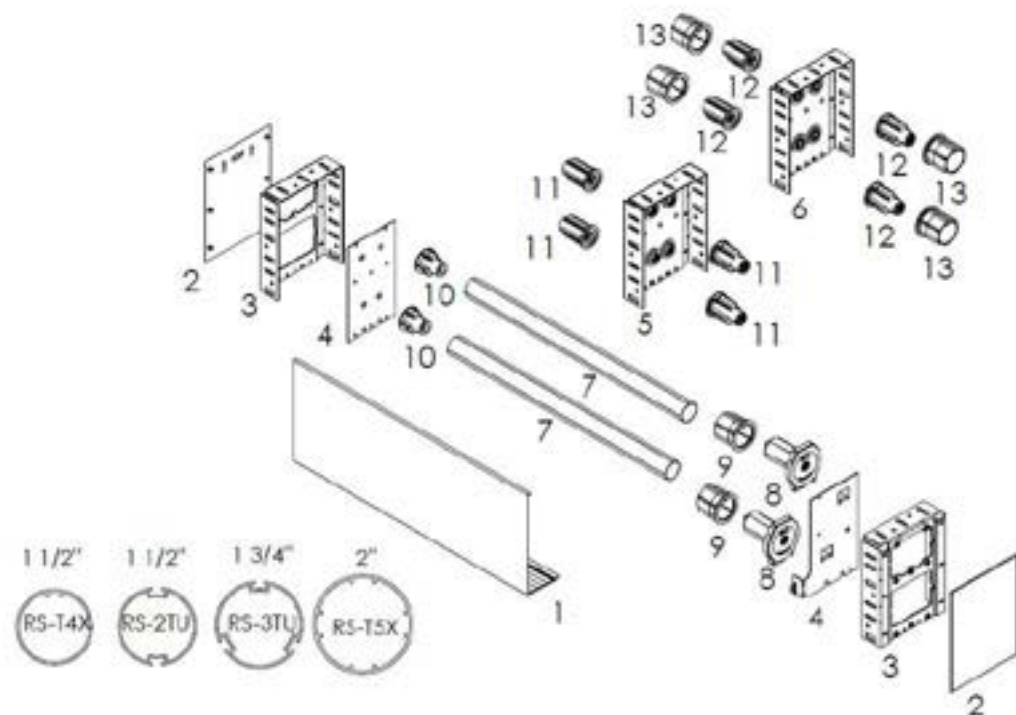






4" Duo Shade Fascia Spring-Tab System with XR12 Clutch



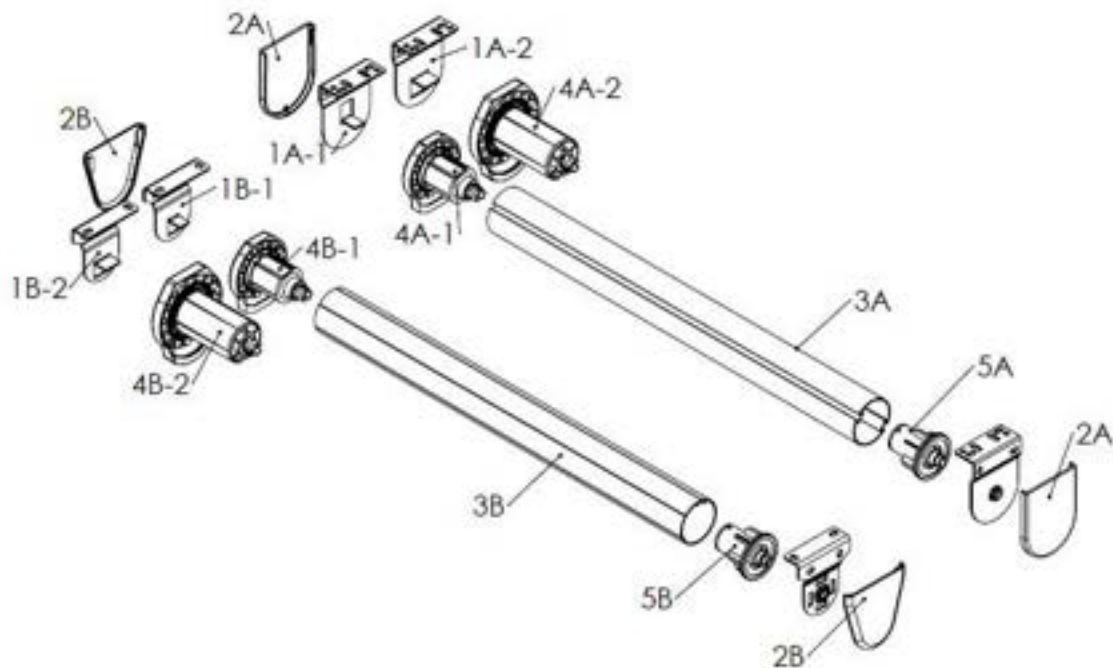
No.	DESCRIPTION	ITEM #	CATALOG PAGE
1	4" Ceiling & Wall Mount Duo Shade Fascia Bracket w/Screws	RS-W5*	F-4
2A	4" Duo Shade Insert Plate for XR8/XR12 Clutch Right Control	SP-J0*	F-4
2B	4" Duo Shade Insert Plate for XR8/XR12 Clutch Left Control	SP-R0*	F-4
3A	XR12 Clutch for 1-1/2" 2TU Tube	XR-5X*	A-6
3B	XR12 Clutch for 1-1/2" T46 Tube	XR-5R*	A-6
4A	Idle End for 40mm Tube	RS-016/018	A-7
4B	1-1/2" Idle End for Z-tube	RS-027/040	A-7
5A	1-1/2" RS Tube	RS-2TU	A-2
5B	1-1/2" Tube w/double Sided Tape	RS-T40/42/46	A-1
6A	4" Square Fascia	RS-5C*	C-1
6B	4" Curved Fascia	RS-5D*	C-1
7A	Duo Shade Fascia Bracket End Cap Square	RS-WP*	F-5
7B	Duo Shade Fascia Bracket End Cap Curved	RS-WN*	F-5

7" Fascia Spring Tab System



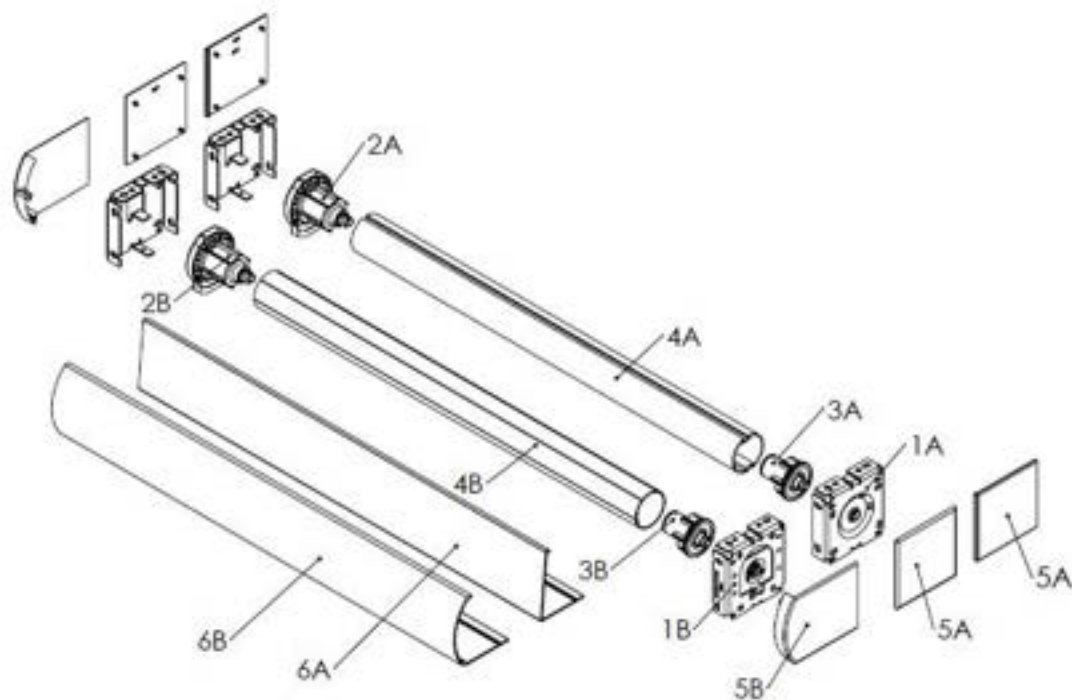
#	DESCRIPTION	ITEM #			
1	7" Square Fascia	RS-SK1/2/4/5			
2	7" Square Fascia End Cap	RS-WY1~5			
3	7" Fascia Bracket	RS-WT1~5			
4	7" Insert Plates for Duo SP Right/Left	SP-YB1/YB2			
5	7" Intermediate Fascia Bracket	RS-W61~5			
6	7" Center Support Fascia Bracket	RS-W71~5			
7	Tube	$1\frac{1}{2}"$  RS-T40/42/46	$1\frac{1}{2}"$  RS-2TU	$1\frac{3}{4}"$  RS-3TU/RS-T76	$2"$  RS-T52/56/57
8	XR16 Clutch	XR-2R1/5	XR-2X1/5	XR-3X1/5	XR-2R1/5
9	Adaptor	-	-	-	Z-10G/10H
10	8mm Idle End	RS-027/040	RS-016/018	RS-022/023	SP-049/050
11	Tube Idle End for Inter. Bracket	RS-WQ5/RS-WM2	RS-WQ1/RS-WM1	RS-WQ2/RS-WM3	RS-WM4
12	Tube Idle End for Center Support Bracket	RS-WQ6	RS-WQ3	RS-WQ4	RS-WQ6
13	Adaptor	-	-	-	Z-10G

Open Roll Spring-Tab System with XR12/XR16 Clutch



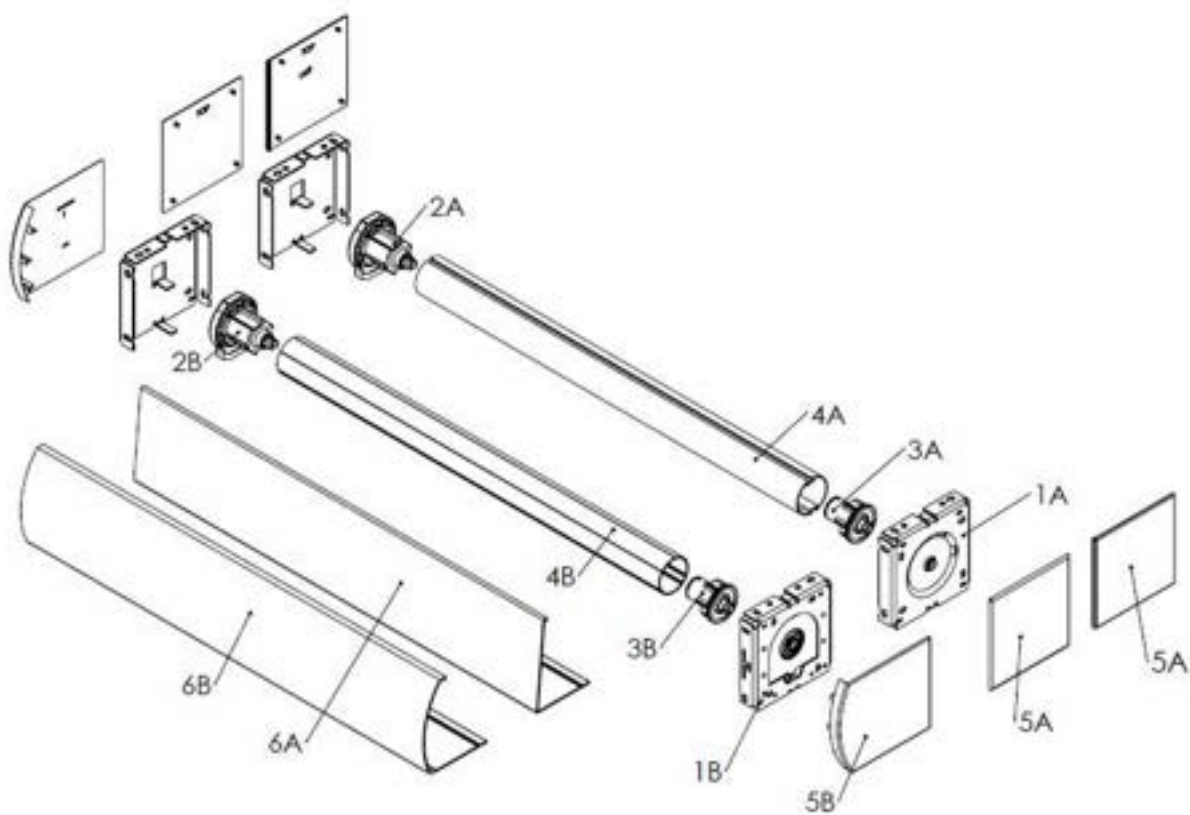
No.	DESCRIPTION	ITEM #	CATALOG PAGE
1A-1	1-1/2" Bracket for XR12 Clutch&ST30/LS40 Somfy Motor and RS Idle End	SP-M01	D-1
1A-2	1-1/2" Bracket for XR16 Clutch and RS Idle End	SP-N01	D-1
1B-1	1-1/2" Bracket for XR12 Clutch&ST30/LS40 Somfy Motor and XL Idle End	SP-K01	D-1
1B-2	1-1/2" Bracket for XR16 Clutch and XL Idle End	SP-L01	D-1
2A	1-1/2" Bracket Cover	RS-2BC	D-1
2B	End Cap for XL Bracket 1-1/2"	XL-C11	D-1
3A	1-1/2" RS Tube	RS-2TU	A-2
3B	1-1/2" Tube w/double Sided Tape	RS-T40/42/46	A-1
4A-1	XR12 Clutch for 1-1/2" 2TU Tube	XR-5X*	A-6
4A-2	XR16 Clutch for 2TU Tube	XR-2X1/2X5	A-6
4B-1	XR12 Clutch for 1-1/2" T46 Tube	XR-5R*	A-6
4B-2	XR16 Clutch for T46 Tube	XR-2R1/2R5	A-6
5A	Idle End for 40mm Tube	RS-016/018	A-7
5B	1-1/2" Idle End for Z-tube	RS-027/040	A-7

3" Fascia Spring-Tab System with XR12 Clutch



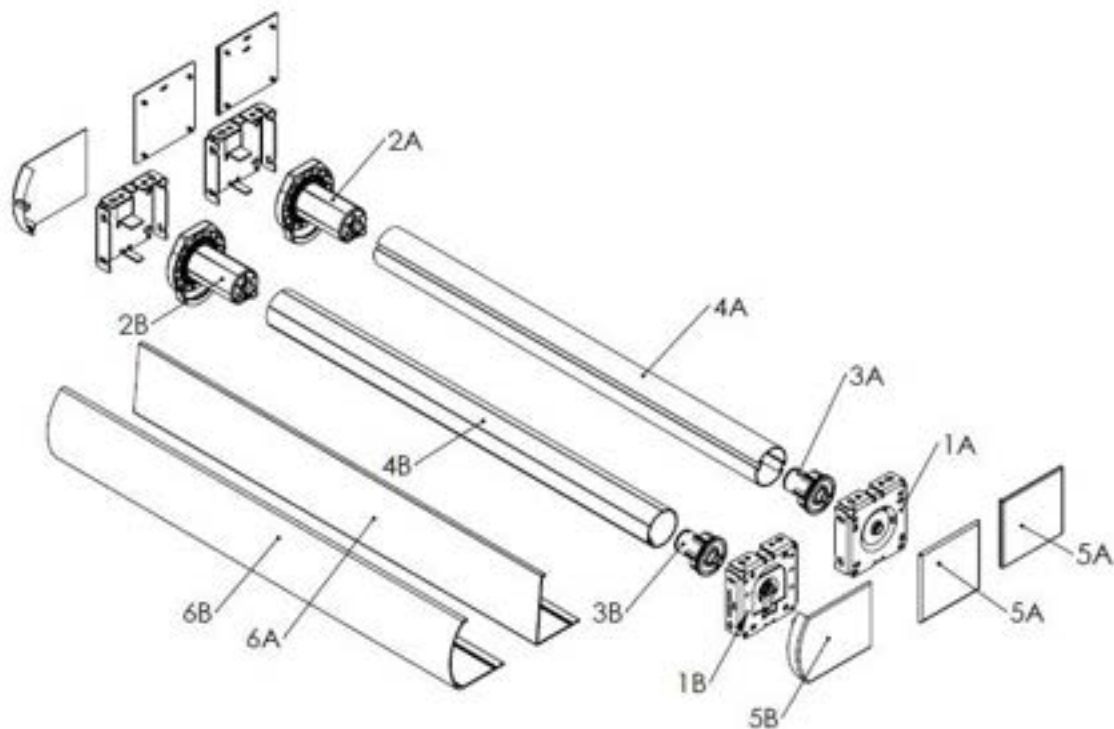
No.	DESCRIPTION	ITEM #	CATALOG PAGE
1A	3" Fascia Bracket for XR12 Clutch & ST30/LS40 Somfy Motor	SP-A0*	C-3A
1B	3" Adj. Bracket for XR12 Clutch & ST30/LS40 Somfy Motor	SP-C0*	C-3A
2A	XR12 Clutch for 1-1/2" 2TU Tube	XR-5X*	A-6
2B	XR12 Clutch for 1-1/2" T46 Tube	XR-5R*	A-6
3A	Idle End for 40mm Tube	RS-016/018	A-7
3B	1-1/2" Idle End for Z-tube	RS-027/040	A-7
4A	1-1/2" RS Tube	RS-2TU	A-2
4B	1-1/2" Tube w/double Sided Tape	RS-T40/42/46	A-1
5A	3" Square Fascia End Cap/3" Square Fascia End Cap with Lip	RS-UH*/RS-VT*	C-4
5B	3" Curved Fascia End Cap	RS-UJ*	C-4
6A	3" Square Fascia	RS-SA*	C-1
6B	3" Curved Fascia	RS-SB*	C-1

4" Fascia Spring-Tab System with XR12 Clutch



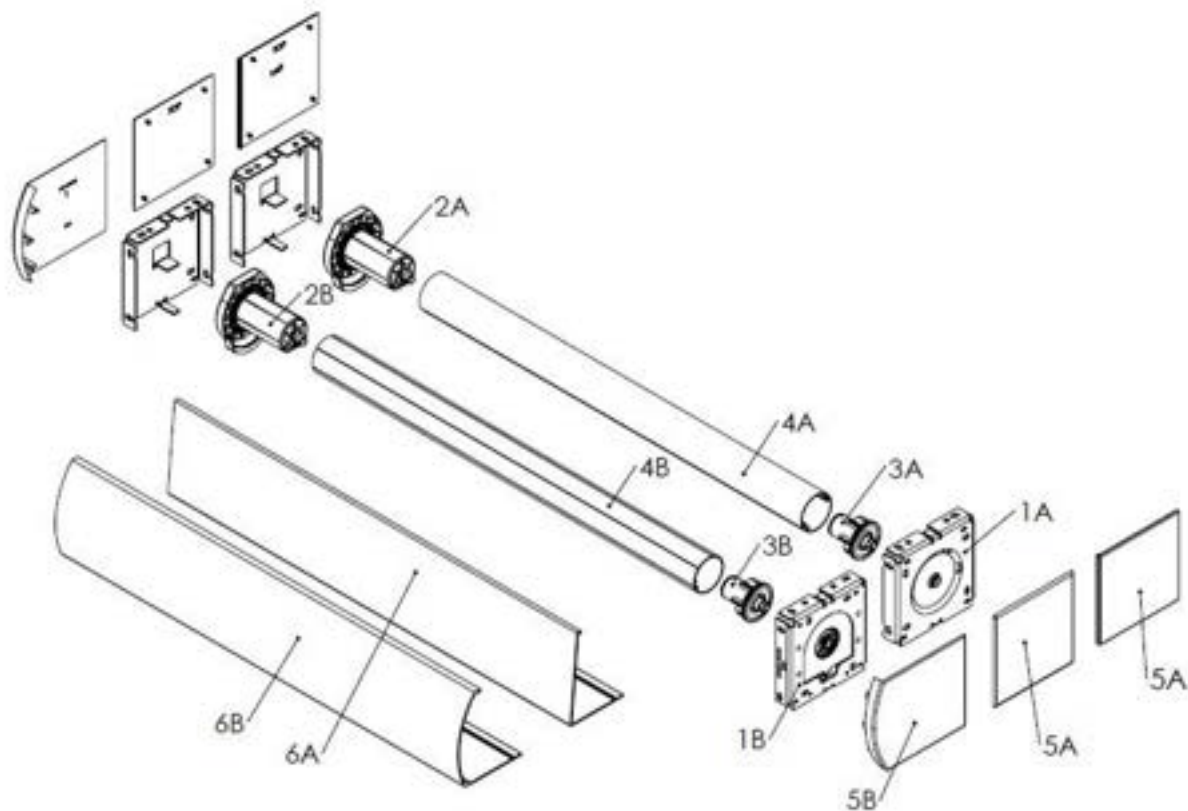
No.	DESCRIPTION	ITEM #	CATALOG PAGE
1A	4" Fascia Bracket for XR8/XR12 Clutch & R28/ST30/ST40 Somfy Motor	SP-E0*	C-3A
1B	4" Adj. Fascia Bracket for XR8/XR12 Clutch & R28/ST30/ST40 Somfy Motor	SP-G0*	C-3A
2A	XR12 Clutch for 1-1/2" 2TU Tube	XR-5X*	A-6
2B	XR12 Clutch for 1-1/2" T46 Tube	XR-5R*	A-6
3A	Idle End for 40mm Tube	RS-016/018	A-7
3B	1-1/2" Idle End for Z-tube	RS-027/040	A-7
4A	1-1/2" RS Tube	RS-2TU	A-2
4B	1-1/2" Tube w/double Sided Tape	RS-T40/42/46	A-1
5A	4" Square Fascia End Cap/4" Square Fascia End Cap with Lip	RS-UI*/RS-VU*	C-4
5B	4" Curved Fascia End Cap	RS-UK*	C-4
6A	4" Square Fascia	RS-SC*	C-1
6B	4" Curved Fascia	RS-SD*	C-1

3" Fascia Spring-Tab System with XR16 Clutch



No.	DESCRIPTION	ITEM #	CATALOG PAGE
1A	3" Fascia Bracket for XR16 Clutch	SP-B0*	C-3A
1B	3" Adj. Bracket for XR16 Clutch	SP-D0*	C-3A
2A	XR16 Clutch for 2TU Tube	XR-2X*	A-6
2B	XR16 Clutch for T46 Tube	XR-2R*	A-6
3A	Idle End for 40mm Tube	RS-016/018	A-7
3B	1-1/2" Idle End for Z-tube	RS-027/040	A-7
4A	1-1/2" RS Tube	RS-2TU	A-2
4B	1-1/2" Tube w/double Sided Tape	RS-T40/42/46	A-1
5A	3" Square Fascia End Cap/3" Square Fascia End Cap with Lip	RS-UH*/RS-VT*	C-4
5B	3" Curved Fascia End Cap	RS-UJ*	C-4
6A	3" Square Fascia	RS-SA*	C-1
6B	3" Curved Fascia	RS-SB*	C-1

4" Fascia Spring-Tab System with XR16 Clutch



No.	DESCRIPTION	ITEM #	CATALOG PAGE
1A	4" Fascia Bracket for XR16 Clutch	SP-F0*	C-3A
1B	4" Adj. Fascia Bracket for XR16 Clutch	SP-H0*	C-3A
2A	XR16 Clutch for 2TU Tube	XR-2X*	A-6
2B	XR16 Clutch for T46 Tube	XR-2R*	A-6
3A	Idle End for 40mm Tube	RS-016/018	A-7
3B	1-1/2" Idle End for Z-tube	RS-027/040	A-7
4A	1-1/2" R5 Tube	RS-2TU	A-2
4B	1-1/2" Tube w/double Sided Tape	RS-T40/42/46	A-1
5A	4" Square Fascia End Cap/4" Square Fascia End Cap with Lip	RS-UI*/RS-VU*	C-4
5B	4" Curved Fascia End Cap	RS-UK*	C-4
6A	4" Square Fascia	RS-SC*	C-1
6B	4" Curved Fascia	RS-SD*	C-1