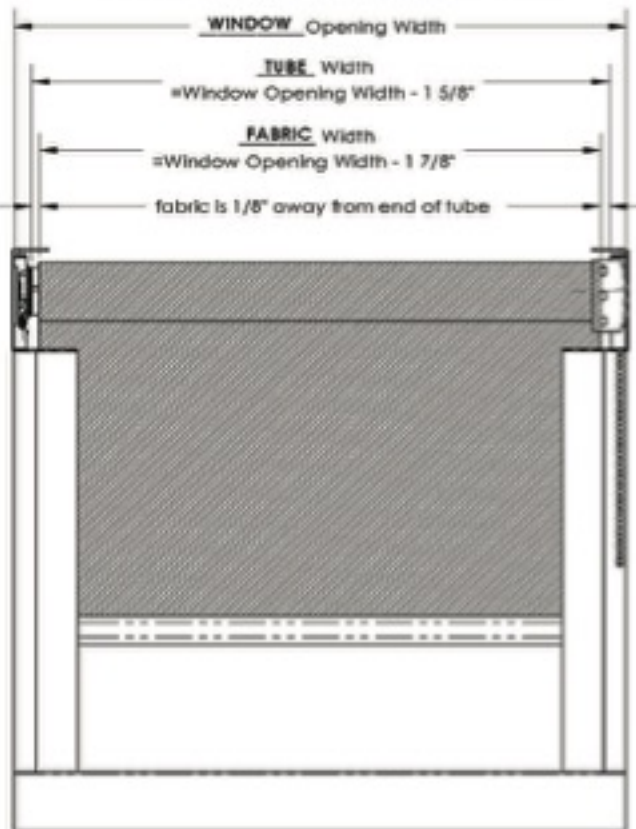


## CM Fascia System with Side Channel Fabric/Tube Deduction

**with end cap**

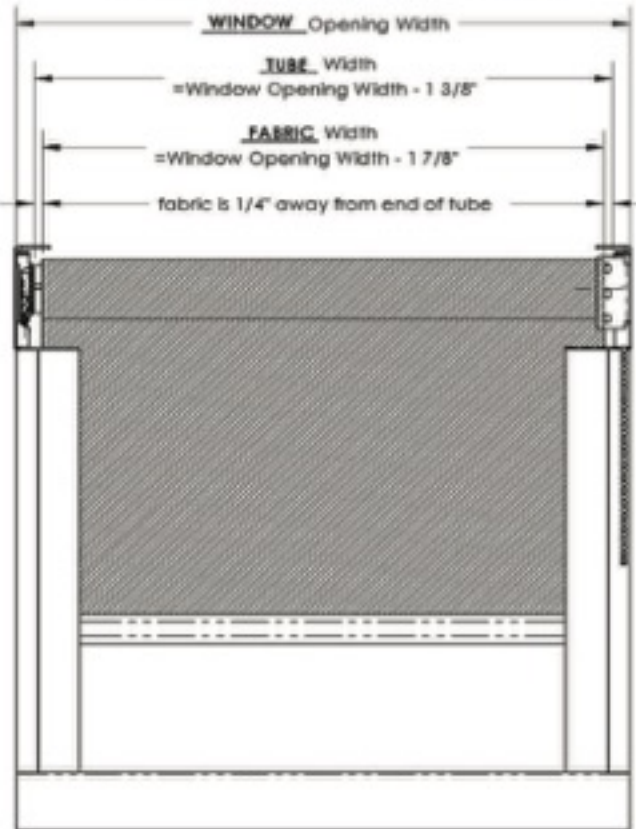
**Note:** Please position both end of fabric  $1/8''$  away from end of tube respectively.



**For example:**  
 Window opening width: 24"  
 Tube width:  $22\text{-}3/8''$   
 Fabric width:  $22\text{-}1/8''$

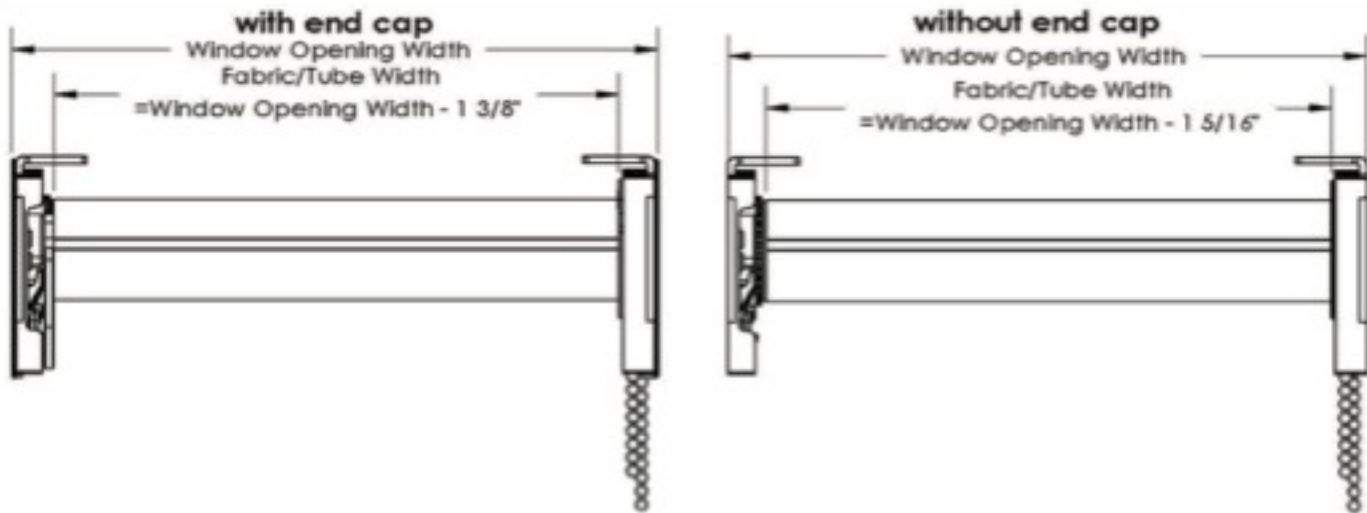
**without end cap**

**Note:** Please position both end of fabric  $1/4''$  away from end of tube respectively.

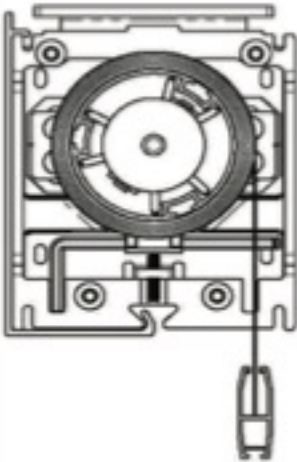


**For example:**  
 Window opening width: 24"  
 Tube width:  $22\text{-}5/8''$   
 Fabric width:  $22\text{-}1/8''$

## CM Fascia System Fabric/Tube Deduction



## CM Fascia System Fabric Drop

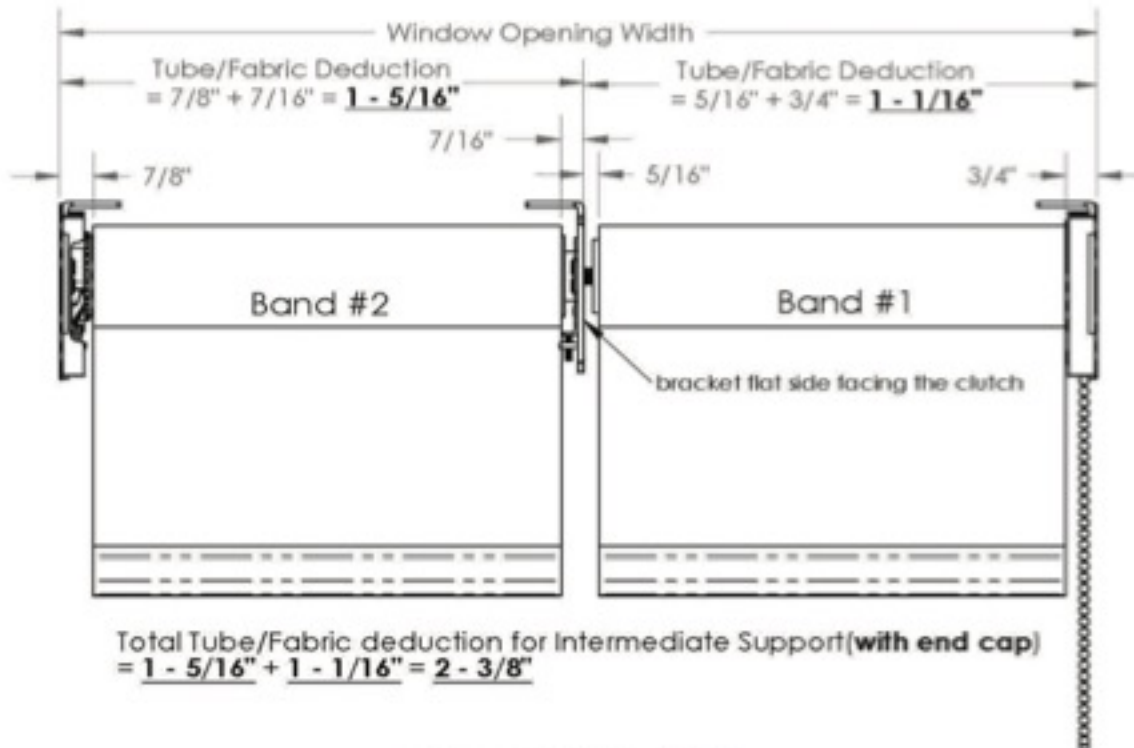


	Ceiling mount Fabric Roll MAX. DIA: 76mm		Wall mount Fabric Roll Max Dia. 76mm	
	3TU tube	2TU/T46 tube	3TU tube	2TU/T46 tube
Z-SCREEN	12.5'(3.80m)	14'(4.20m)	12.5'(3.80m)	14'(4.20m)
BLACK OUT	33'(10m)	37'(11.20m)	33'(10m)	37'(11.20m)

CM Clutch Maximum Recommended Holding Weight		
Item #	Light to Medium Weight Fabric	Medium to Heavy Weight Fabric
<b>CM-2CX/2CR</b> 1 1/2" CLUTCH will lift up to 16lbs	96"(Width) X 180"(Drop) 2.4m(Width) X 4.5m(Drop)	96"(Width) X 108"(Drop) 2.4m(Width) X 2.7m(Drop)
<b>CM-3CX</b> 1 1/2" CLUTCH will lift up to 24lbs	108"(Width) X 180"(Drop) 2.7m(Width) X 4.5m(Drop) OR 96"(Width) X 312"(Drop) 2.4m(Width) X 7.9m(Drop)	108"(Width) X 120"(Drop) 2.7m(Width) X 3.0m(Drop) OR 96"(Width) X 192"(Drop) 2.4m(Width) X 4.8m(Drop)

## CM Fascia System with Intermediate bracket Fabric/Tube Deduction

### with END CAP



### without END CAP

