

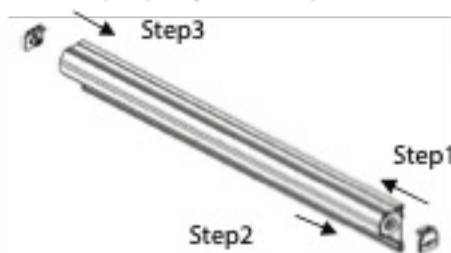
Cordless Shade Installation Instruction*

*C61/C62 spring should be installed on the right side of shade. All adjustment should be done conversely

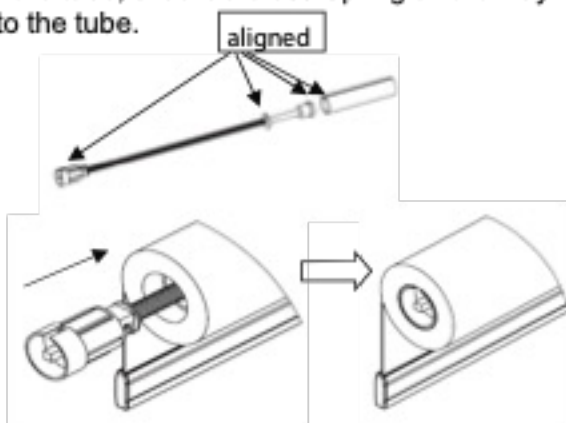
1. Select the correct Cordless Spring for your shade (refer to ZMC Cordless Shade Pre-rotation Chart);



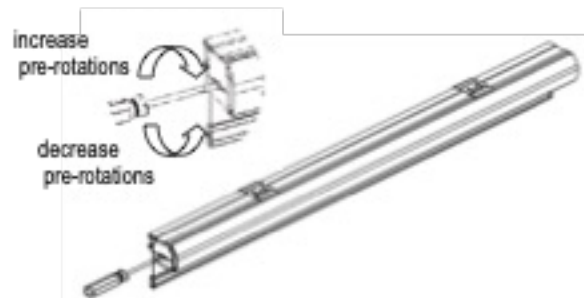
4. Assemble a cassette. Step1: Install one bracket into the right end of Cassette. Step2: Install the shade into the right side Bracket. Step3: Install the other Bracket into the left end of Cassette and make sure both inner small shafts fits properly into respective Brackets.



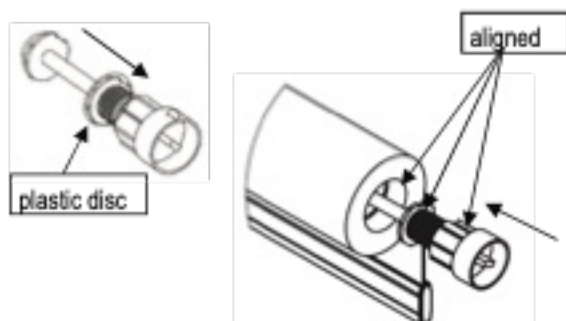
2. Roll up all the fabric onto 1 1/4' tube. On the Left Side of the shade, align the plastic piece notches of Cordless Spring with pins of the tube, slide Cordless Spring all the way into the tube.



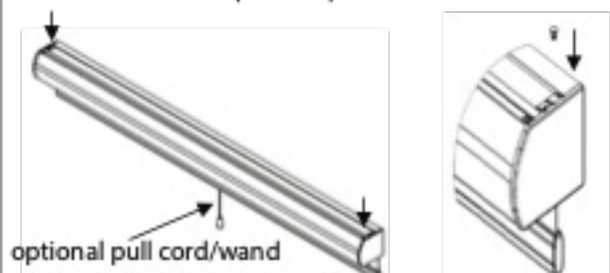
5. Install the blind on Mounting Brackets on wall or window frame, set pre-rotations clockwise for spring as per ZMC Cordless Shade Pre-rotation Chart. Then adjust the shade speed and bottom rail stop position according to Cordless Shade Adjustment Instruction and Cordless Shade Caution Note.



3. Move the plastic disc of Cordless Stopper to the right end. On the Right Side of the shade, align the plastic piece notches of Cordless Stopper with pins of the tube, then insert Cordless Stopper into the tube.



6. After completed all the adjustment, remove the Cassette from the Mounting Bracket, add End Caps on both sides: Drill holes on both top sides of the cassette; insert plastic locking pins into the holes to hold the End Caps in Place. Then place the Cassette back to the Mounting Brackets. Install optional pull cord if needed.



Cordless Shade Adjustment Instruction*

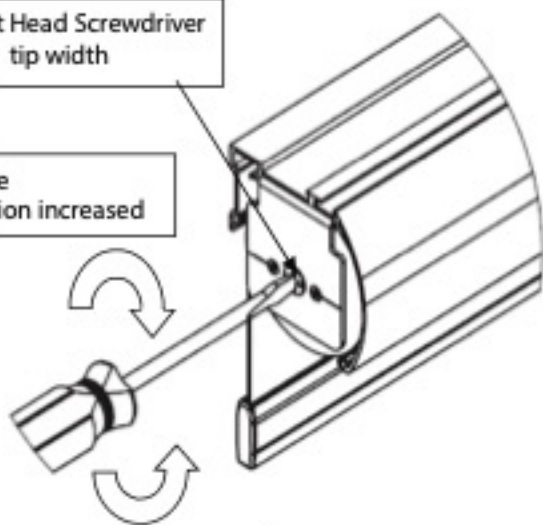
*C61/C62 spring should be installed on the right side of shade. All adjustment should be done conversely

Pre-rotation Adjustment

(To get the correct pre-rotation, refer to ZMC Cordless Shade Pre-rotation Chart)

Use a Flat Head Screwdriver with 1/4" tip width

Clockwise
Pre-rotation increased



Counter clockwise
Pre-rotation decreased

After increasing spring pre-rotations, pull down the shade, then release the shade to check the shade roll up speed. To increase or decrease pre-rotation of Spring and get proper shade speed:

-Clockwise :increase pre-rotation if the shade goes up too slow or wouldn't go up.

-Counter clockwise : decrease pre-rotation if the shade goes up too fast.

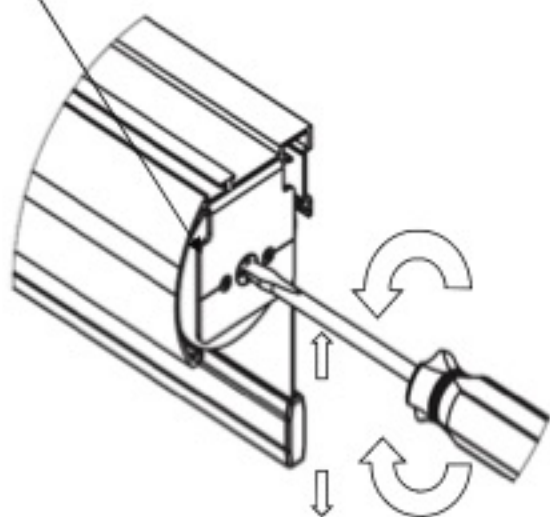
☞ Make sure the shade is in an unlock position to adjust pre-rotation.

From a lock position, pull down the shade about 1 3/4 - 3 1/2 (4.5-9.0m), the shade is in an unlock position and hold it in place to wind the Spring (fabric should not roll up or down).

To switch lock/unlock position, refer to the page Cordless Shade Lock/

Bottom Rail Stop Position Adjustment

Use a Flat Head Screwdriver with 1/4" tip width



To adjust Bottom Rail Stop Position by winding the Stopper (on the Right Side):

-CounterClockwise: goes up

-Clockwise: goes down

1. Lower bottom rail stop position:

Pull down the bottom rail to the position where you wish to stop, wind the Stopper in clockwise direction till tighten.

2. Lift up bottom rail stop position:

Wind the Stopper in counter clockwise direction until the bottom rail gets up to a desired position. Then pull down the bottom rail and roll up the shade, check the stop position.

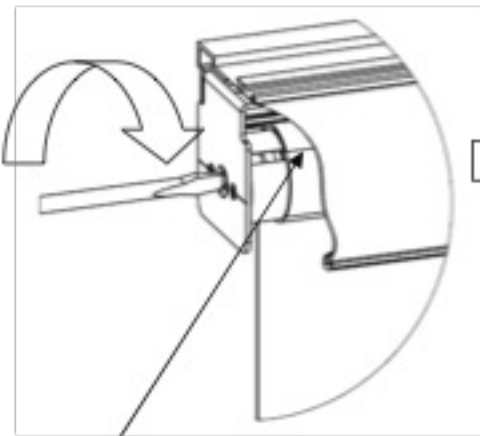
☞ The function of the Stopper is to avoid bottom rail bumping into the head rail when the shade goes up.

Cordless Shade Caution*

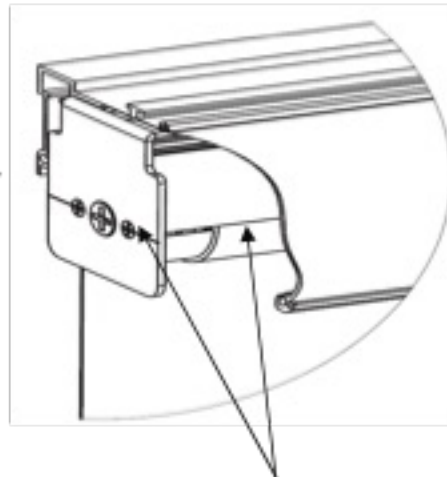
*C61/C62 spring should be installed on the right side of shade. All adjustment should be done conversely

After set up the pre-rotations and bottom rail stop position, pull down the shade totally. The fabric wrap should cover at least half of tube perimeter.

If the fabric wrap is less than half of tube perimeter (the fabric start position is above the center marker of the bracket), adjust Spring in clockwise direction to make the fabric start position align with or pass the Center Marker. Otherwise the shade may not be unlocked to roll up at bottom position.



The fabric start position is above the center marker.



To be aligned or pass center marker.