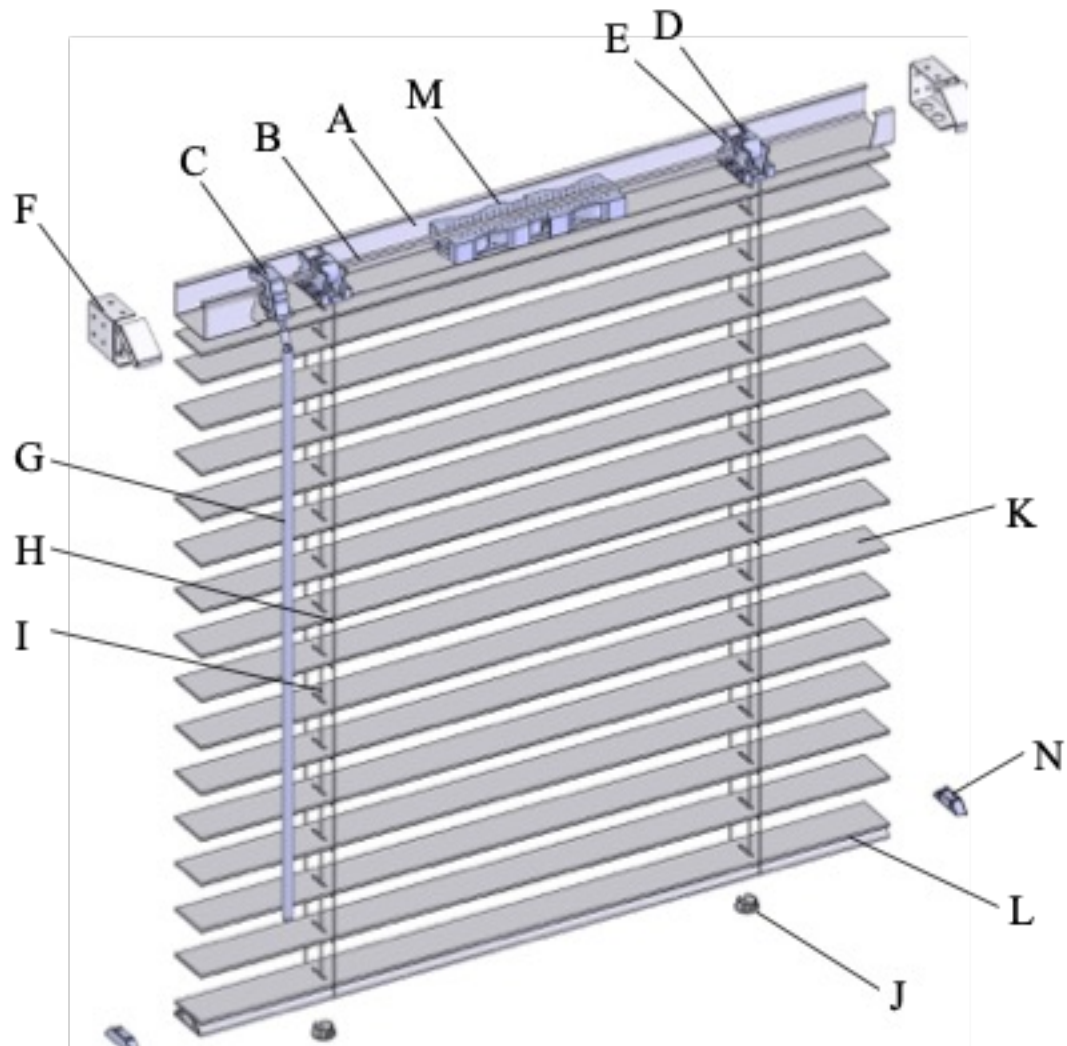


Product Cut Sheet: Custom-Made 2" Fauxwood & 2" Basswood Cordless



Parts:

- | | | | |
|----|-----------------------------------|----|---------------------------|
| A) | Headrail – Steel | M) | Cordless Spring Mechanism |
| B) | Pinion Rod (Tilt Rod) – Hexagonal | N) | Bottomrail End Caps |
| C) | Wand Tilter | | |
| D) | Tape Drum (Ladder Drum) | | |
| E) | Tape Drum Support (Cradle) | | |
| F) | Installation Bracket | | |
| G) | Tilting Wand | | |
| H) | Cord Ladder | | |
| I) | Lift Cord 1.4mm | | |
| J) | Bottomrail Plugs | | |
| K) | 2" Slats (Only) | | |
| L) | Bottomrail – Hollow Inverted | | |

System Features:

- Color Coordinated Headrail
- Installation Brackets
- Heavy Metal and Plastic Components

Product Cut Sheet: Custom-Made 2" Fauxwood & 2" Basswood Cordless



Blind Options:

- Fauxwood Poly Vinyl Chloride (PVC) 2" Flat
- Basswood 2" Flat (12 colors only)



Headrail:

- Polyester baked enamel - color coordinate
- Phosphate treated steel—2 1/4" x 1 1/2" high
- Wall thickness—0.035 (before paint)



Bottomrail: (Color Coordinated)

Inverted Fauxwood Bottomrail—Extruded



Tilt Controls:

- Tilter (standard) with color coordinated Tilt Wand makes rotation of the slats easy
- The gear arrangement is entirely enclosed.
- Zinc gear makes the tilt mechanism stronger
- Acetal thermoplastic worm gear and pulley provides smooth tilter operation

Control Locations:

- Standard: Tilter—Left
- Reverse: Tilter—Right

Other Head Rail Channel Hardware:

- Headrail components are made of low friction acetal thermoplastics
- Snap-in design of components allows for quick and easy repair if necessary



Cord Ladder: (Color Coordinated)

- Polyester braided cord ladders are designed to ensure proper control with adequate overlap of slats in the closed position
- Maximum spacing between rout holes:
 - ◆ Fauxwood = 11"
 - ◆ Baswood = 20"
- Options:
 - ◆ Classic Ladder: 19.5mm (15.7 slats / ft.)



Lift Cords: (Color Coordinated)

- 1.4mm Polyester braided cord designed for lifting and lowering the blind



Mounting Hardware:

- End Mounted installation brackets
- Center support on blinds wider than 60"
- Extension brackets (when requested)
- Hold down brackets (when requested)

Size Recommendations:

- Minimum Width—18"
- Minimum Drop—18"
- Maximum Width—96"
- Maximum Drop—72"

The sizes listed above are merely recommendations. Blinds may be ordered larger if required. Optional 2 or 3 blinds on a single headrail are available as well.

Slat Material Composition:

- Fauxwood
 - ◆ PVC Resin (base material), Methyltin Mercaptide (stabilizer), Calcium Carbonate (filler), Titanium Dioxide (UV inhibitor), Methyl Methacrylate (lubricant) Ethylenebis (lubricant), Octanbenzone (UV inhibitor, - Lead Free—N.F.P.A. 701

Other:

- Cloth tape not available
- Routless not available
- Slant top not available
- 2 on 1 available
- 3 on 1 available
- Tile cut-outs available