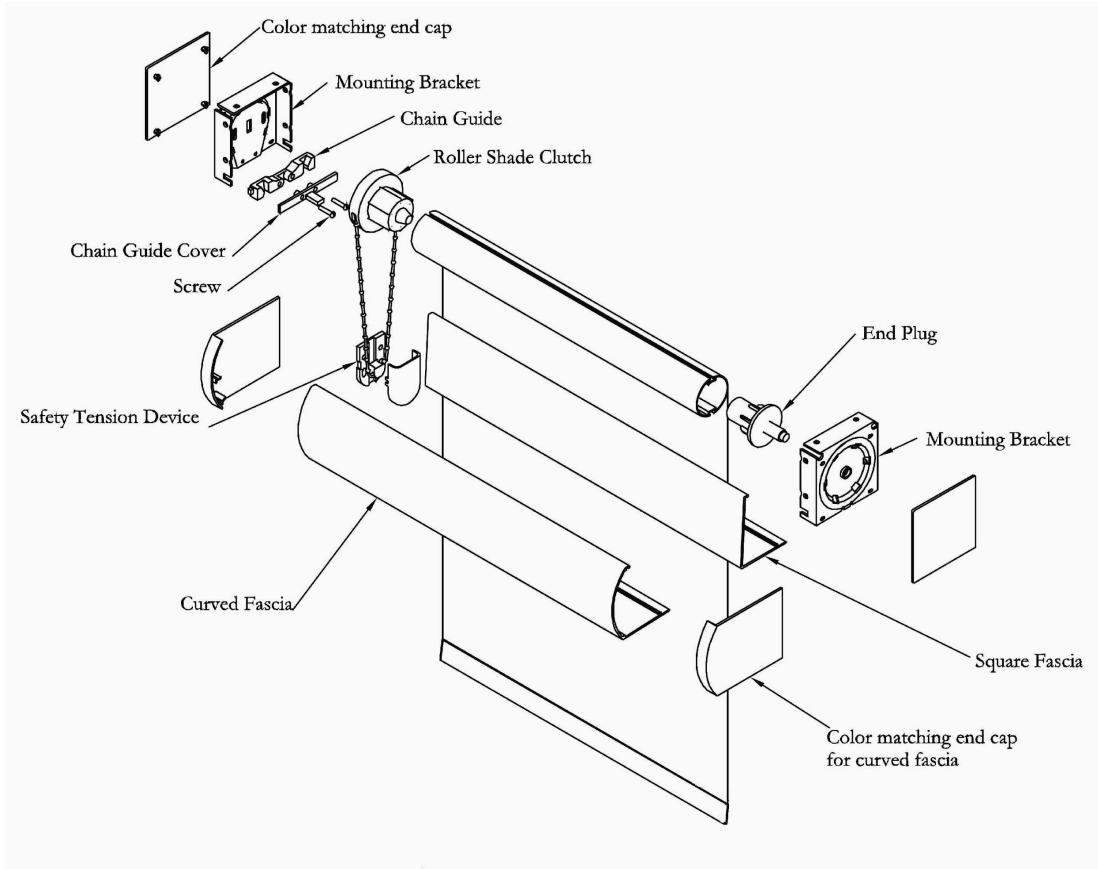
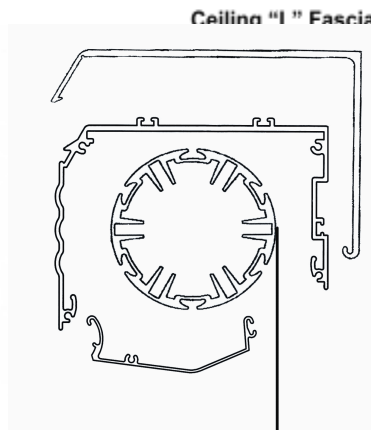
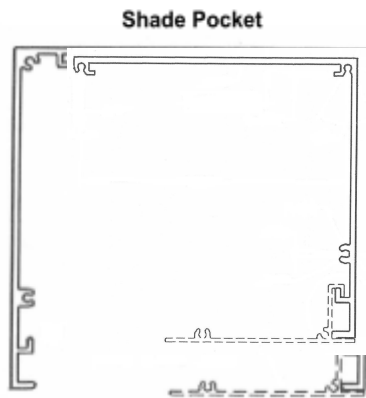


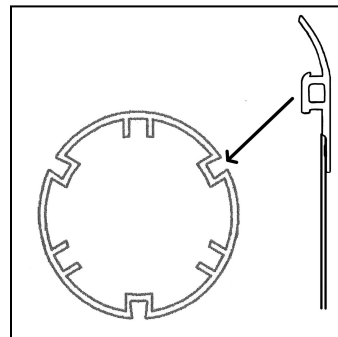
Product Cut Sheet: Chain Operated Clutch Roller Shade System



Additional Valance Options:



Cassette Shade Box



System Features:

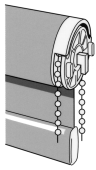
- SecureGrip Removable Spline System
- Dura-Roll Deflection Resistance Roller Tubes
- Heavy Duty Commercial Parts
- Fabric Edges Sealed to Reduce Faying

Product Cut Sheet: Chain Operated Clutch Roller Shade System

Options:

- Dura-Roll Chain Operated Clutch Roller Shade System

Clutch:



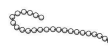
- Clutch components are made of a heavy duty thermoplastics and Nylon 6
- Heavy duty single spring creates a positive mechanical relationship between the roller tube and the installation brackets to ensure stationary positioning in the static state
- When activated the wrap spring releases and permits the clutch to turn while reducing friction on the clutch
- End cap locking system prevents the shade from coming out of its brackets if the shade is operated incorrectly
- Available as White or Black

Side & Sill Channels:



- Aluminum Alloy T6 powder coated White or Black, or clear Anodized
- Single piece "C" shaped to eliminate left, right, and bottom light gaps
- Required for complete blackout

Chain Options:



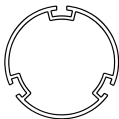
- Qualified #10 bead chain
 - White (nylon cord & plastic balls)
 - Black (nylon cord & plastic balls)
 - Stainless steel

Idle End Cap:



- End cap is spring loaded for easy of installation and security of fixing

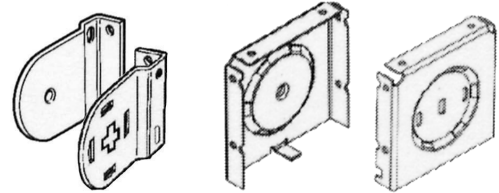
Roller Tube:



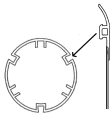
- Tube extrusions used shall be based upon the size of the shade
- Each tube shall have at least one SecureGrip spline slot for fabric attachment and increased rigidity
- Mill finish Aluminum Alloy T6
 - 1 1/4" diameter (outside dimension)
 - 1 1/2" diameter (outside dimension)
 - 1 3/4" diameter (outside dimension)
 - 2.30" diameter (outside dimension)
- Minimum wall thickness – 0.062"

Mounting Hardware:

- Universal installation brackets may be installed to the wall, ceiling, or side
- Steel construction painted white or black for shades without valances, or white, black or gray for shades with valances



SecureGrip Spline:



- Shade be a flexible PVC extrusion engineered by Mariak to be RF welded to the shade fabric
- The spline shall be inserted into a slot on the roller tube and shall allow the fabric to be easily removed and reinstalled while the roller tube remains in its brackets

Size Recommendations:

- Maximum Width – 126"
- Maximum Drop – 144"

Hembar Options:

Pocket Bottomweight Hembar Option

- Shall be a 1" tall aluminum extrusion sealed inside a welded fabric pocket

Wrapped Hembar Option

- Shall be an exposed aluminum extrusion
- The shade fabric covers the front of the hembar and is affixed with a mylar spline to the top and bottom of the extrusion

Valances Options:

- Aluminum Alloy T6 powder coated White or Black, or clear Anodized
 - Square Fascia: 3" & 4" Tall
 - Round Fascia: 3" & 4" Tall
 - Fabric Wrapped Round Fascia: 3" &

4" Tall

- Cassette Box
- Ceiling "L" Fascia
- Shade Pocket