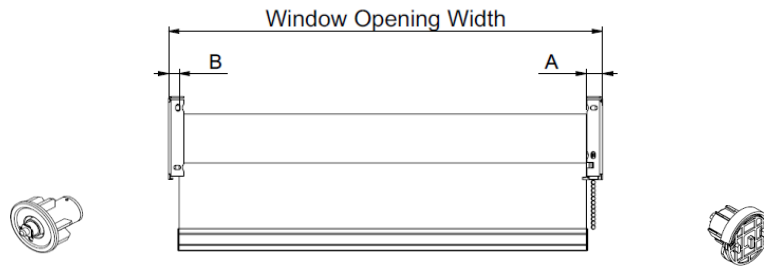


# Fabric/Tube Deduction

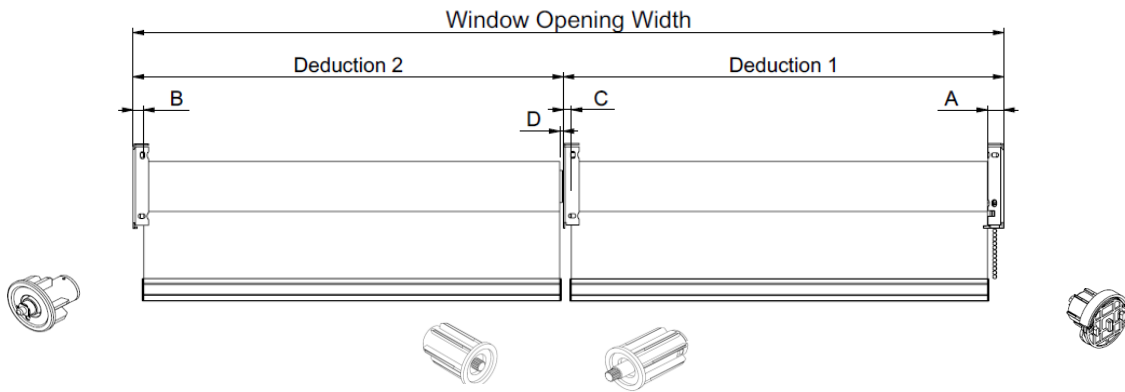
## 3" & 4" Fascia Bracket with RS Clutch

### Single Band



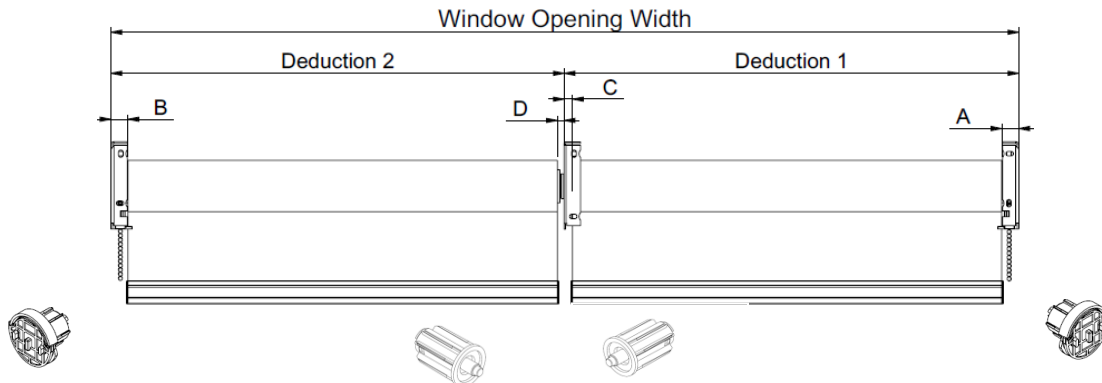
A	B	Deduction
21mm (13/16")	14mm (9/16")	35mm (1 3/8")

### Multi Band-Intermediate



A	B	C	D	D1 (A+C)	D2 (B+D)
21mm (13/16")	14mm (9/16")	9.5mm (3/8")	4.5mm (3/16")	30.5 mm (1 3/16")	18.5 mm (3/4")

### Multi Band-Center Support



A	B	C	D	D1 (A+C)	D2 (B+D)
21mm (13/16")	21mm (13/16")	9.5mm (3/8")	8mm (5/16")	30.5 mm (1 3/16")	29 mm (1 1/8")

Note:

1. Endcaps are not included in this drawing.
2. Endcap thickness is 1/8".